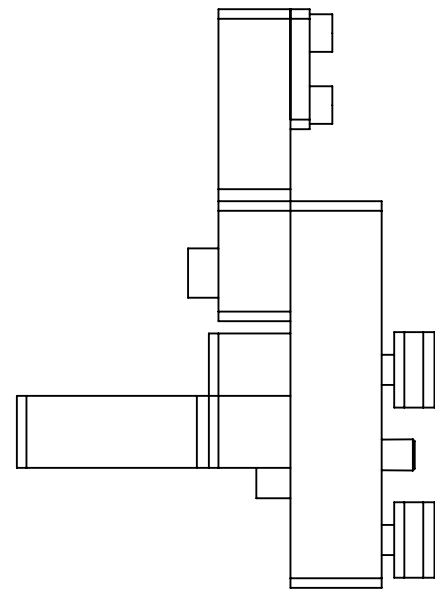
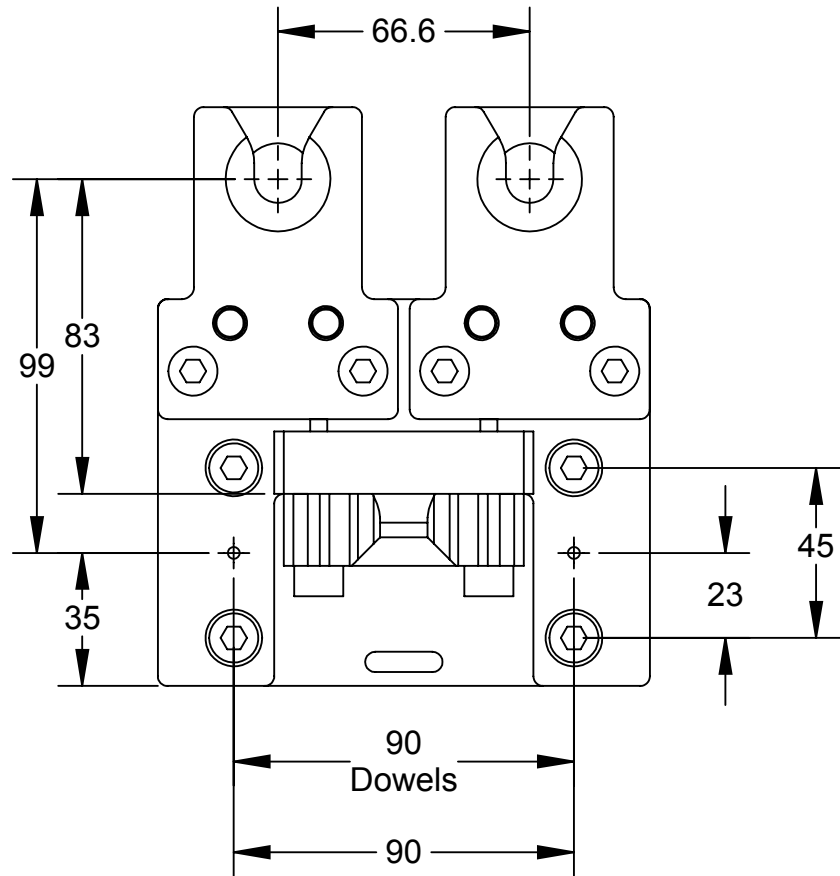
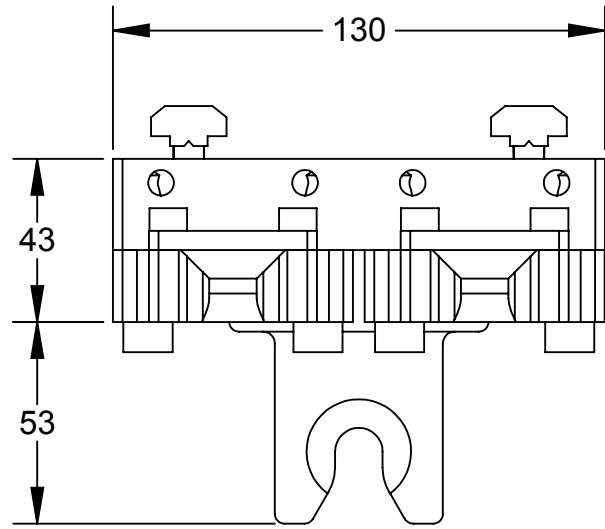
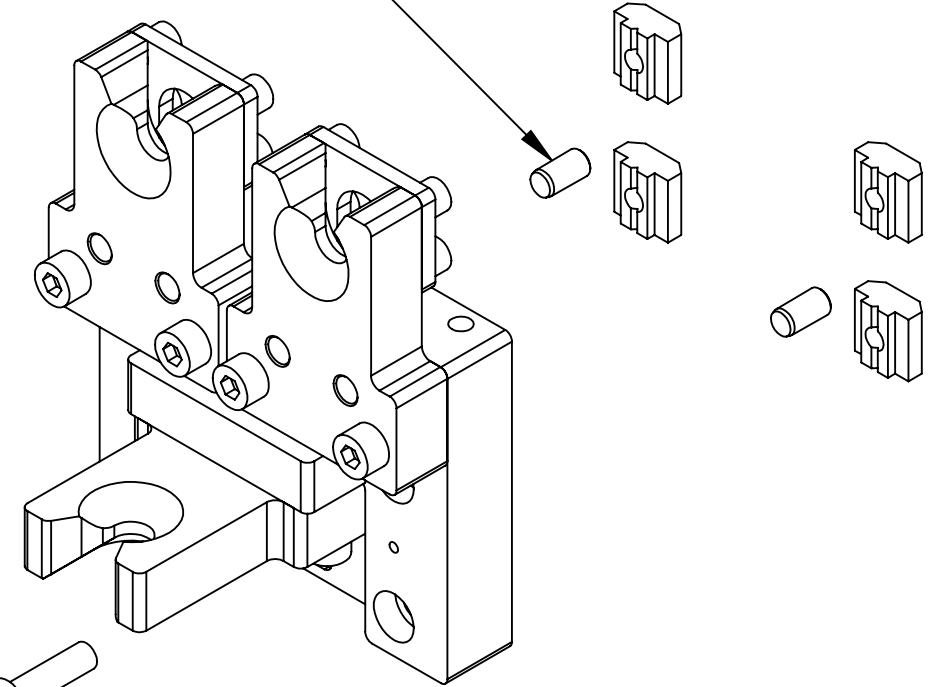


Rev.	Description	Initiator	Date
01	Initial Drawing	JMW	12/03/2013



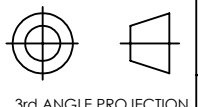
2X Ø M8 Dowel
Note 2



4X M8 SHCS
242 / 140 in-lbs
Note 1

Notes:

1. Customer to use Loctite or similar threadlocker and torque fasteners to listed torque.
2. Customer to press dowels into mounting plate if needed.

ITEM NO.	QTY.	PART NUMBER	DESCRIPTION
1	1	9120-TSM-MMV-3597	TSM Mounting Module, V-Block
NOTES: UNLESS OTHERWISE SPECIFIED.		<p>1031 Goodworth Drive, Apex, NC 27539, USA Tel: +1.919.772.0115 Email: info@ati-ia.com Fax: +1.919.772.8259 www.ati-ia.com ISO 9001 Registered Company</p> <p>PROPERTY OF ATI INDUSTRIAL AUTOMATION, INC. NOT TO BE REPRODUCED IN ANY MANNER EXCEPT ON ORDER OR WITH PRIOR WRITTEN AUTHORIZATION OF ATI.</p>	
DO NOT SCALE DRAWING. ALL DIMENSIONS ARE IN MILLIMETERS.			
 3rd ANGLE PROJECTION		<p>DRAWN BY: J. Winterroth, 12/03/13</p> <p>CHECKED BY: D. Norton, 12/04/13</p> <p>PROJECT # - SHEET 1 OF 1</p>	
		<p>TITLE TSM Mounting Module, V-Block</p>	
		SCALE	REVISION
		1:2	01
		SIZE	DRAWING NUMBER
		B	9630-20-TSM-MMV-3597